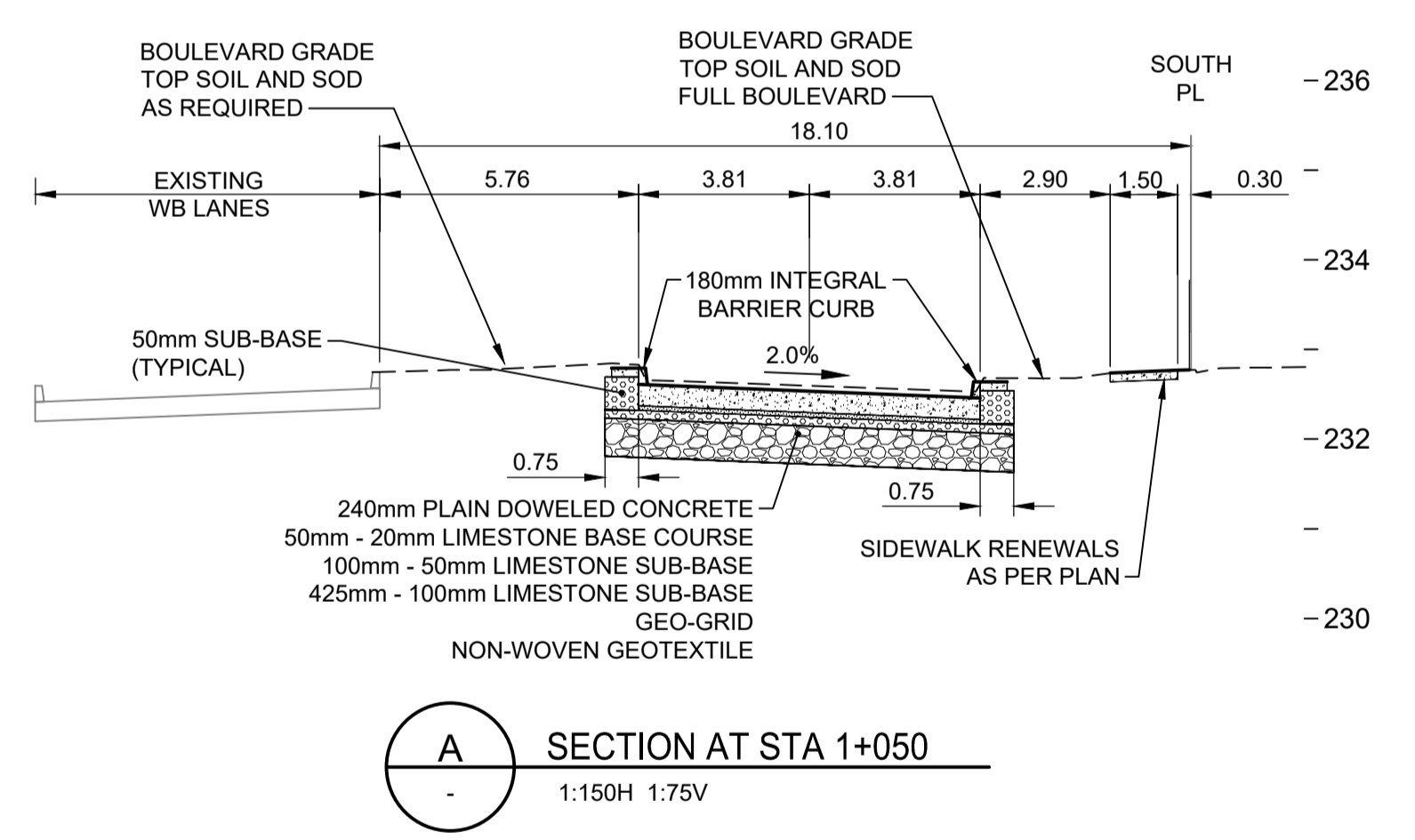
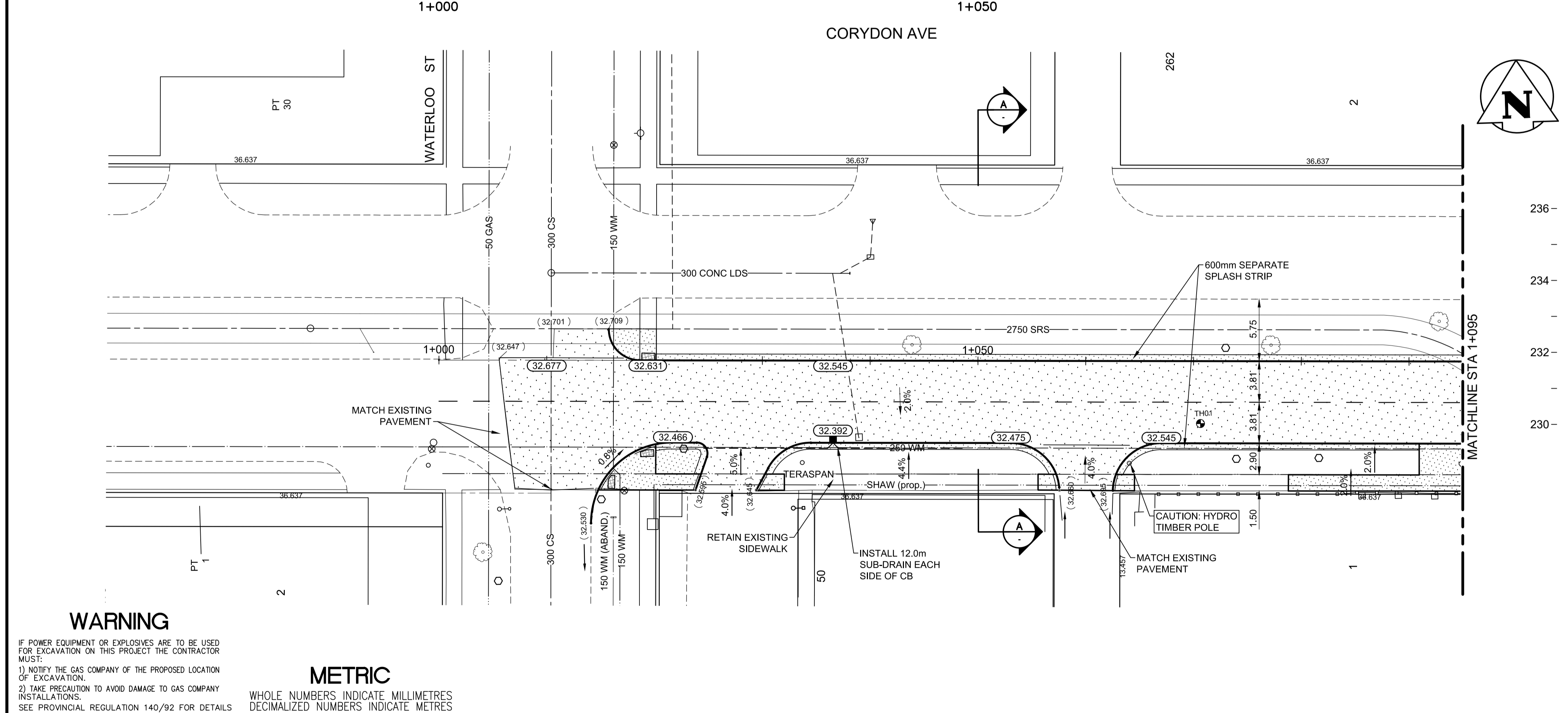


NOTES:

1. ADJUST EXISTING MANHOLES AS REQUIRED.
2. ADJUST EXISTING VALVE AS REQUIRED.
3. FOR CB's LEADS AND UNDERGROUND INFO SEE SHEET 24 TO 29.
4. INSTALL SUB-DRAINS AS PER PLAN DRAWINGS AS PER SD-245 c/w CAPPED ENDS.
5. PRIVATE APPROACHES ARE 200mm REINFORCED CONCRETE WITH 75mm BASE COURSE, 225mm-50mm SUB-BASE AND NON-WOVEN GEOTEXTILE.
6. RETAIN EXISTING SUB-BASE AND REPLACE CONCRETE SLABS ONLY WHERE PUBLIC LANES, MEDIAN OPENINGS, AND LOCAL STREET TIE-INS WERE RECENTLY RECONSTRUCTED, AS DIRECTED BY THE CONTRACT ADMINISTRATOR.
7. REFER TO TENDER SPECIFICATIONS FOR CONSTRUCTION REQUIREMENTS WORKING ON OR NEAR EXISTING GAS MAINS.
8. REFER TO TENDER SPECIFICATIONS FOR CONSTRUCTION REQUIREMENTS FOR WORKING ON OR NEAR EXISTING 900 FEEDERMAIN.
9. BLUE PAVERS INSET IN SIDEWALK TO BE CONSTRUCTED AT EACH TRANSIT STOP AND WETSET CLAMP AS PER DETAIL ON SHEET 55.



WARNING

IF POWER EQUIPMENT OR EXPLOSIVES ARE TO BE USED FOR EXCAVATION ON THIS PROJECT THE CONTRACTOR MUST:
 1) NOTIFY THE GAS COMPANY OF THE PROPOSED LOCATION OF EXCAVATION.
 2) TAKE PRECAUTION TO AVOID DAMAGE TO GAS COMPANY INSTALLATIONS.
 SEE PROVINCIAL REGULATION 140/92 FOR DETAILS

METRIC

WHOLE NUMBERS INDICATE MILLIMETRES
 DECIMALIZED NUMBERS INDICATE METRES

150 WM		300 CS		HYDRO		C PROFILE	
+	WATERMAIN	+	300 CS	+	M.T.S.	---	NORTH OR WEST GUTTER
+	HYDRANT	+	300 CS	+	CONCRETE	---	SOUTH OR EAST GUTTER
+	VALVE	+	300 LPS	+	ASPHALT	---	NORTH MEDIAN GUTTER
+	LAND DRAINAGE SEWER	+	250 WWS	+	SIDEWALK	---	SOUTH MEDIAN GUTTER
+	WASTE WATER SEWER	+	250 WWS	+	ASPHALT MILL & FILL	---	NORTH OR WEST P L
○	MANHOLE	○	300 CS	+	STREET LIGHT	---	SOUTH OR EAST P L
□	CATCH BASIN	□	300 CS	+	HYDRO POLE	---	
▽	CURB INLET/CATCH PIT	▽	300 CS	+	SURVEY BAR	---	
●	TRANSIT STOP	●	300 CS	+	ELEVATION	---	
○	GAS	○	300 CS	+	SIDEWALK RAMP	---	
---	PROPERTY LINE	---	300 CS	+		---	
---	LEGEND-PLAN	---	300 CS	+		---	
---	PROPOSED	---	300 CS	+		---	
---	EXISTING	---	300 CS	+		---	

LOCATION APPROVED UNDERGROUND STRUCTURES

SUPV. U/G STRUCTURES COMMITTEE DATE

NOTE:
 LOCATION OF UNDERGROUND STRUCTURES AS SHOWN ARE BASED ON THE BEST INFORMATION AVAILABLE BUT NO GUARANTEE IS GIVEN THAT ALL EXISTING UTILITIES ARE SHOWN OR THAT THE GIVEN LOCATIONS ARE EXACT. CONFIRMATION OF EXISTENCE AND EXACT LOCATION OF ALL SERVICES MUST BE OBTAINED FROM THE INDIVIDUAL UTILITIES BEFORE PROCEEDING WITH CONSTRUCTION.

NO.	REVISIONS	DATE	BY
0	ISSUED FOR TENDER	20.02.14	S.R.S.

Stantec
 500 - 311 Portage Avenue, Winnipeg MB Canada
 www.stantec.com

DESIGNED BY: D.C.P. CHECKED BY: R.K.H.
 DRAWN BY: R.S. APPROVED BY: S.R.S.

HOR. SCALE: 1:250
 VERTICAL: 1:10

RELEASSED FOR CONSTRUCTION: DATE

ENGINEER'S SEAL

PRELIMINARY DRAWING

NOT TO BE USED FOR CONSTRUCTION

CONSULTANT DRAWING NO. C-201

THE CITY OF WINNIPEG
 PUBLIC WORKS DEPARTMENT
 ENGINEERING DIVISION

2019-2023 STAFFORD/TAYLOR/CORYDON
 TENDER 1
 CORYDON AVENUE
 WEST OF WATERLOO ST TO STA 1+095
 ROADWORKS - RECONSTRUCTION

SHEET 6 OF 55
 CAD FILE DRAWING NUMBER 08020c-201-932.dwg
 CITY DRAWING NUMBER P-3524-06

U:\1\1378820\0302_cdr\dwg\0302_sheel_1\1378820_201_932.dwg